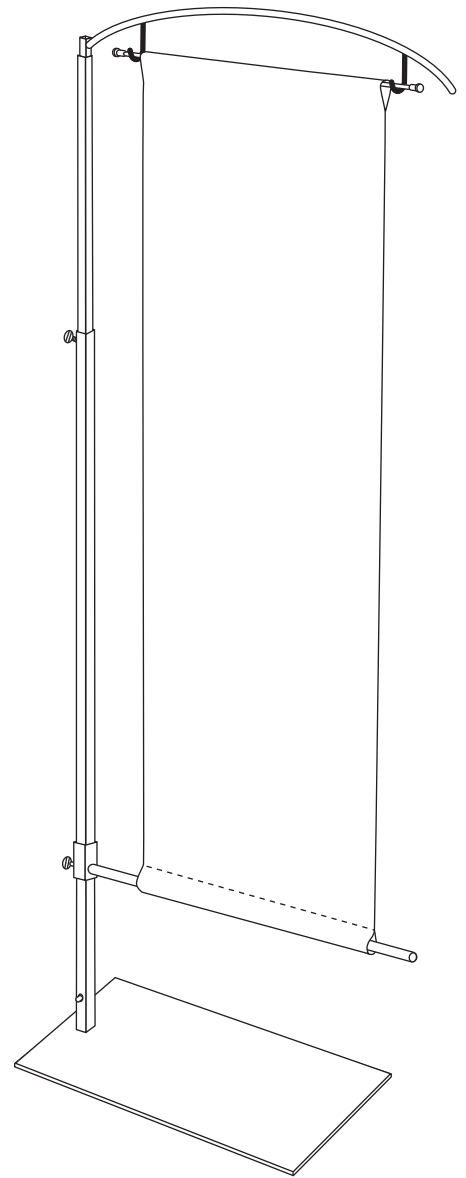
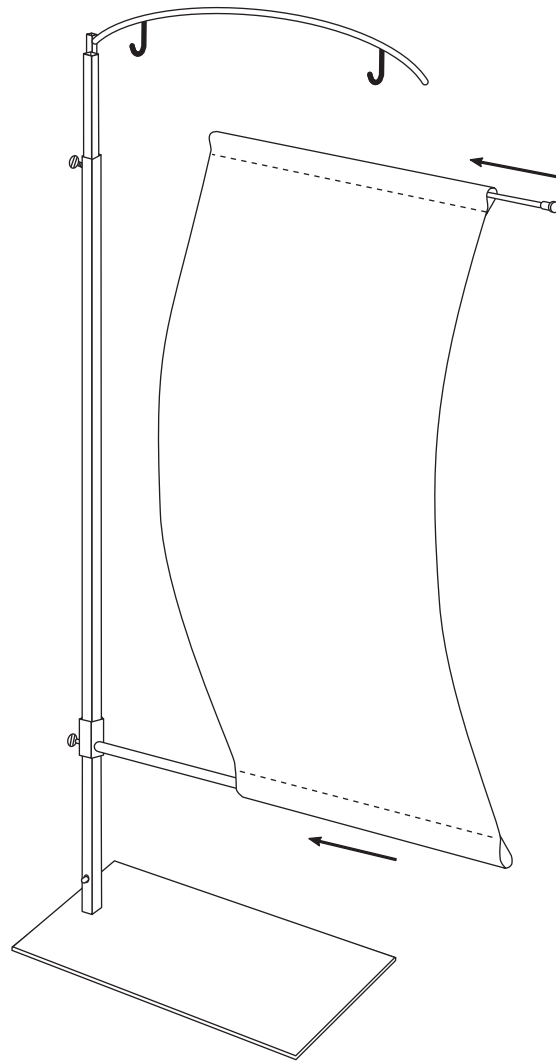
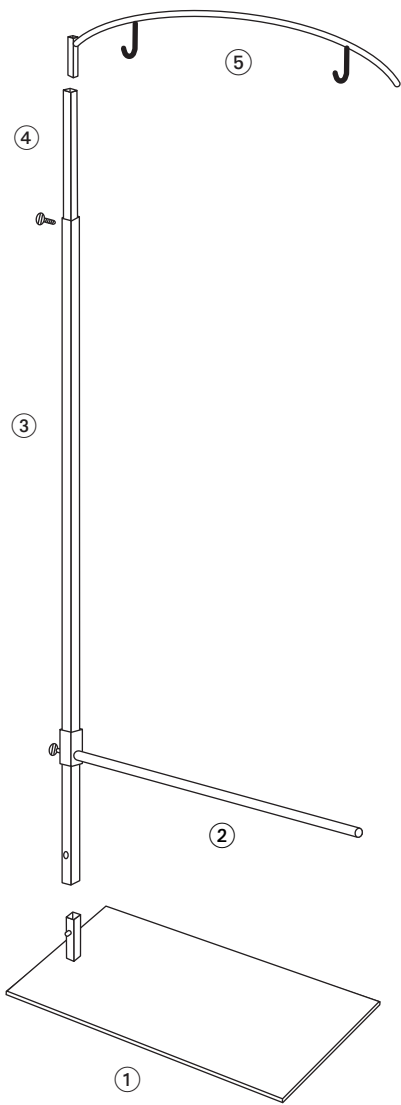




Swing Stand Banner Stand Instruction Sheet



1

Place Base ① on Floor.

Slide vertical tube ④ into vertical tube ③ Tighten thumb screw to secure.

Slide Bottom cross tube ② onto vertical tube ③ Tighten thumb screw to secure.

Slide vertical tube ③ onto base ① and snap into place

Set top arm ⑤ onto vertical tube ④

2

Slide metal tube into top pocket and slide bottom pocket onto bottom cross tube

3

Adjust height to pull banner taut.