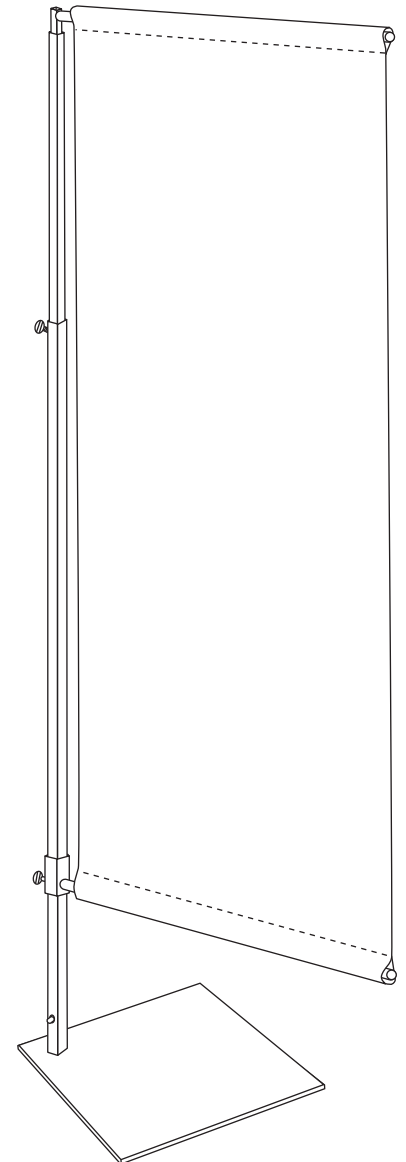
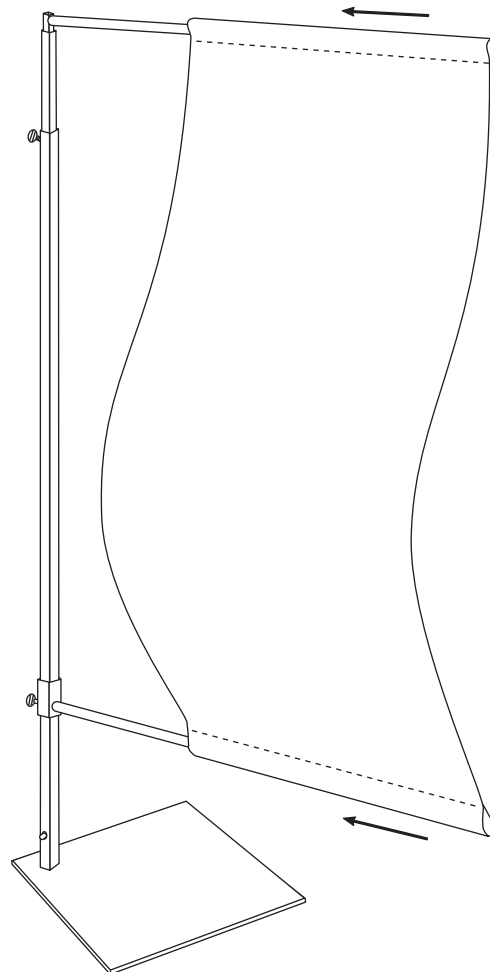
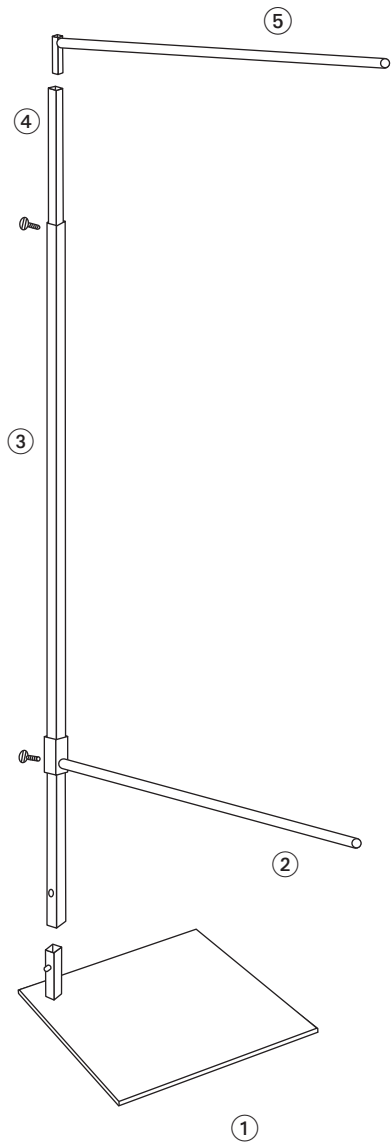




Side Stand Banner Stand Instruction Sheet



1

Place Base ① on Floor.

Slide vertical tube ④ into vertical tube ③ Tighten thumb screw to secure.

Slide Bottom cross tube ② onto vertical tube ③ Tighten thumb screw to secure.

Slide vertical tube ③ onto base ① and snap into place

Set top cross tube ⑤ onto vertical tube ④

2

Slide top and bottom pockets onto top and bottom cross tubes

3

Adjust height to pull banner taut.