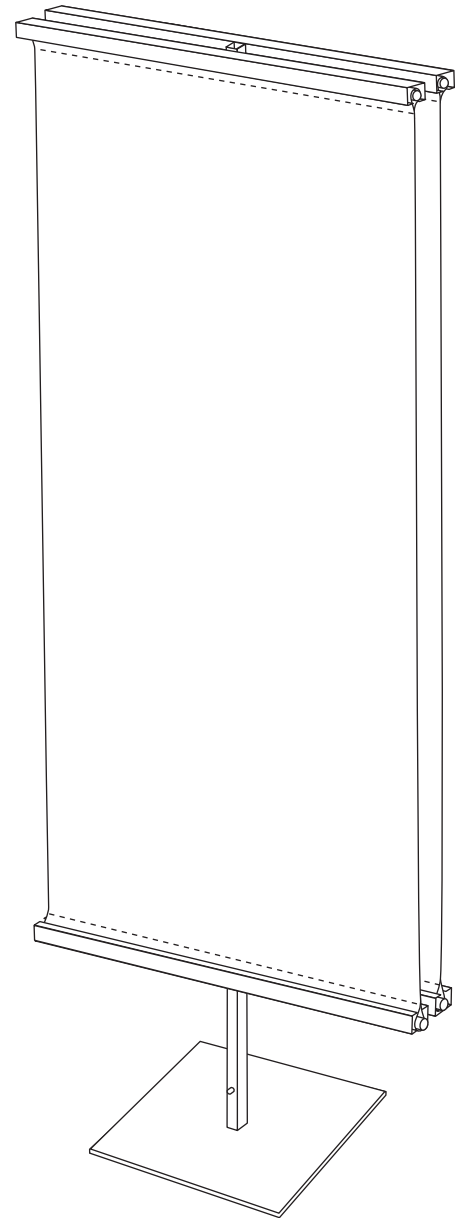
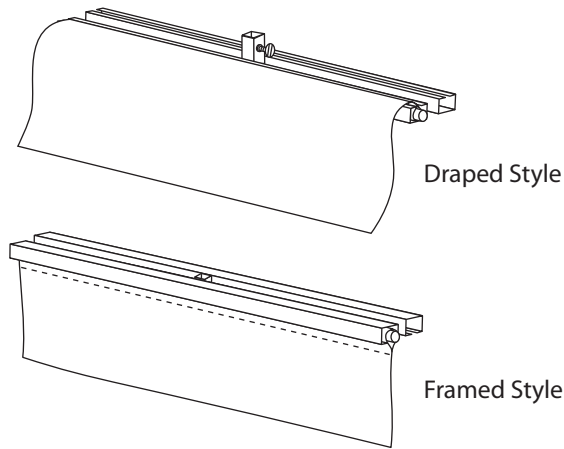
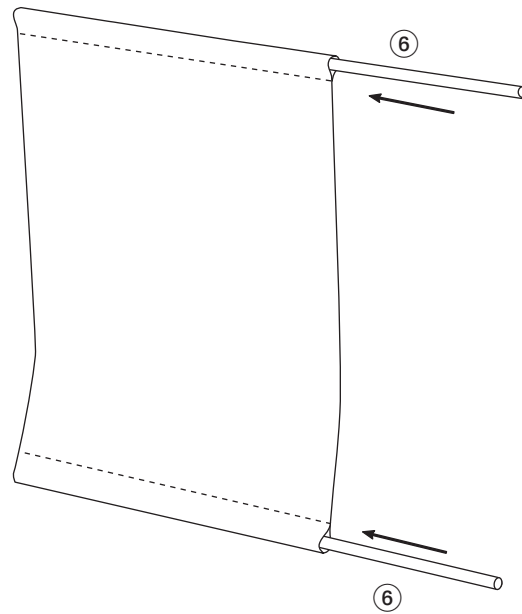
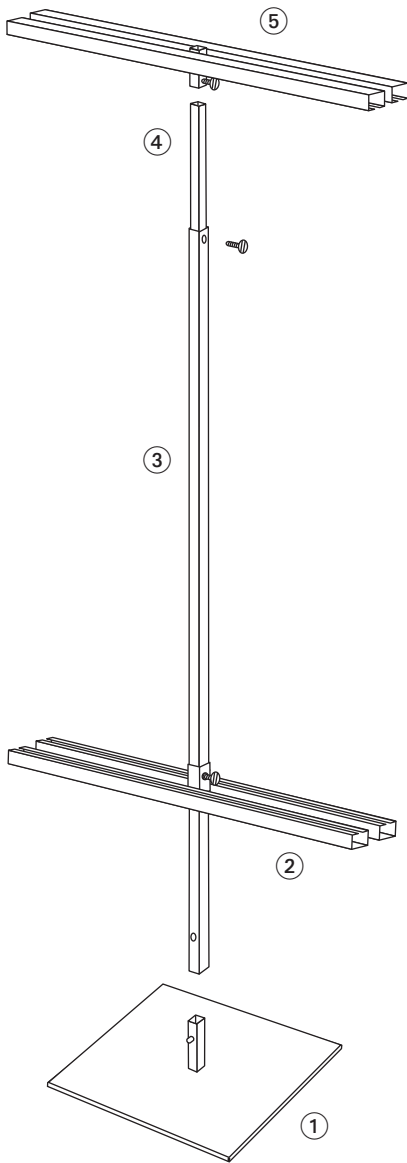


Premiere

Premiere Banner Stand Instruction Sheet



1

Place Base ① on Floor.

Slide vertical tube ④ into vertical tube ③ Tighten thumb screw to secure.

Slide Bottom Tray ② onto vertical tube ③ Tighten thumb screw to secure.

Slide vertical tube ③ onto base ① and snap into place.

Set top platform ⑤ onto vertical tube ④ and snap into place

2

Slide metal tubes ⑥ into top and bottom pockets on banners.

3

slide banner into channel on top platform and adjust to height

Slide banner onto bottom platform

Adjust to pull banner taut.