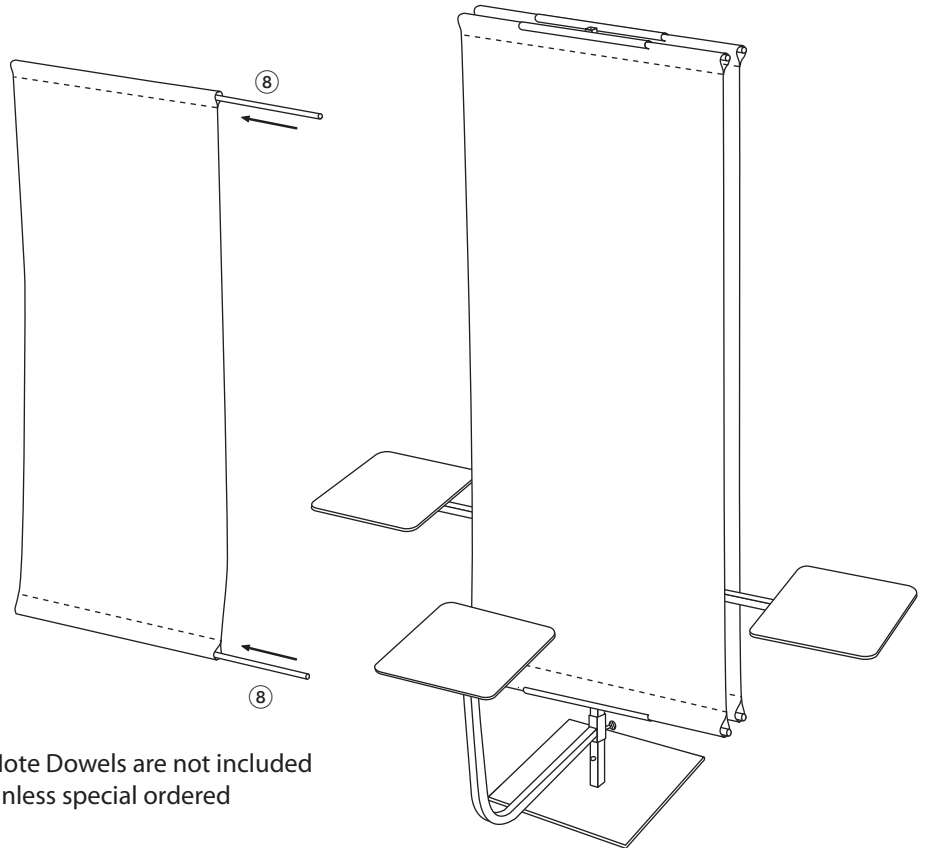
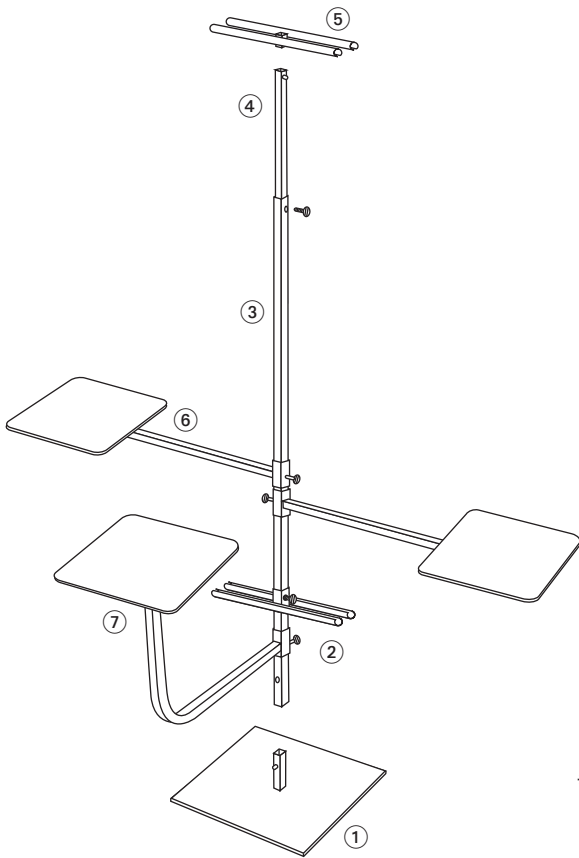


BSST Multi Stand Banner Stand Instruction Sheet



* Note Dowels are not included unless special ordered

1

Place Base ① on Floor.

Slide vertical tube ④ into vertical tube ③ Tighten thumb screw to secure.

Slide straight arm ⑥ onto vertical tube ③

Slide Bottom Tray ② onto vertical tube ③ Tighten thumb screw to secure.

Slide bent arm ⑦ onto vertical tube ③

Slide vertical tube ③ onto base ① and snap into place

Set top platform ⑤ onto vertical tube ④ and snap into place

2

* Slide wooden dowels ⑧ into top and bottom pockets on banners.

3

slide banner into channel on top platform and adjust to height

Slide banner onto bottom platform

Adjust to pull banner taut.