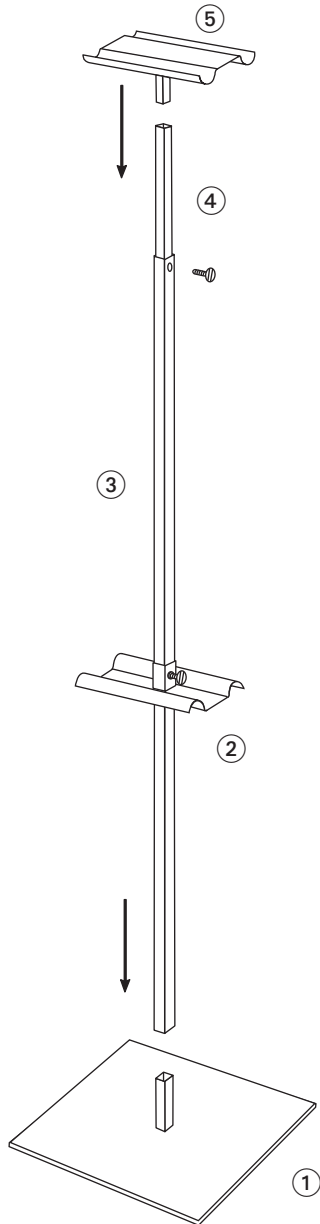


**BSO Banner Stand** Instruction Sheet



**1**

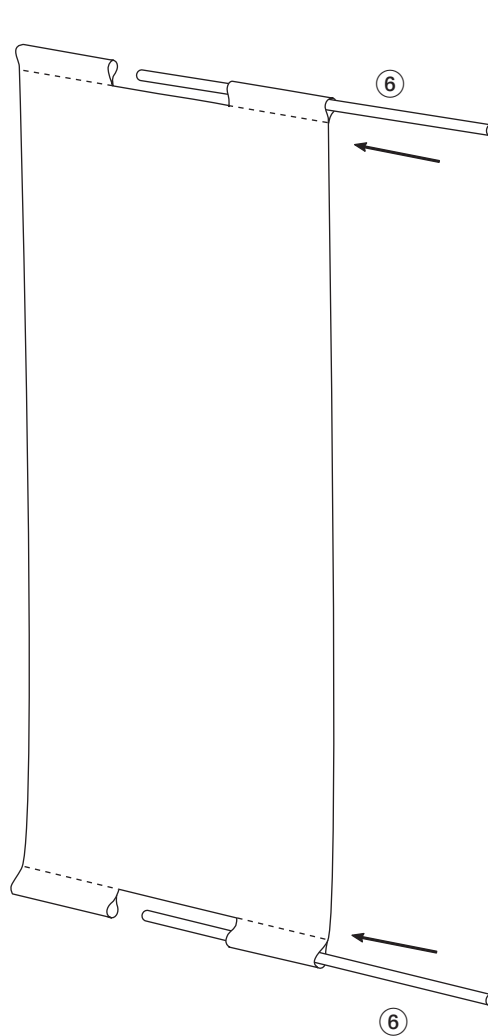
Place Base ① on Floor.

Slide vertical tube ④ into vertical tube ③ Tighten thumb screw to secure.

Slide Bottom platform ② onto vertical tube ③ Tighten thumb screw to secure.

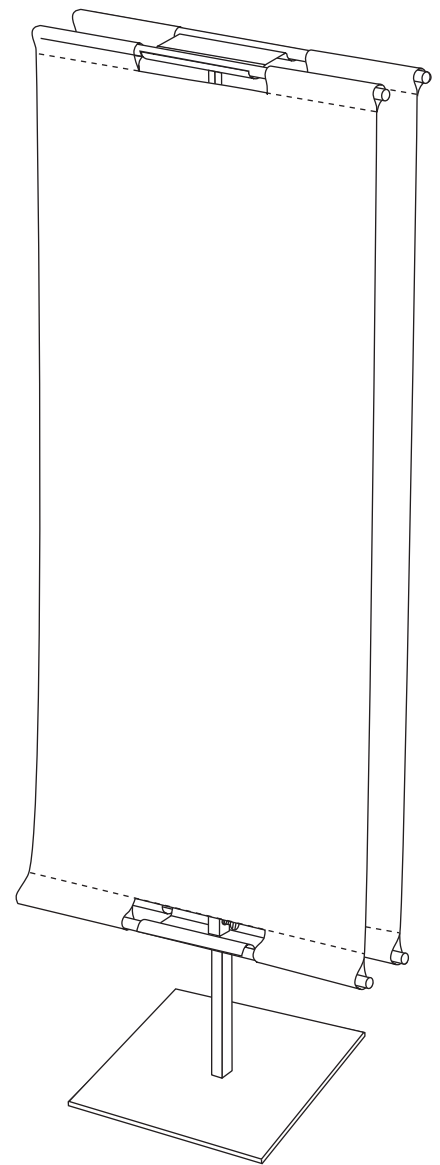
Slide vertical tube ③ onto base ①

Set top platform ⑤ onto vertical tube ④



**2**

Slide metal tubes ⑥ into top and bottom pockets on banners.



**3**

Place banner on top platform and adjust to height

Adjust bottom platform so that it rest on bottom tube.

Adjust to pull banner taut.